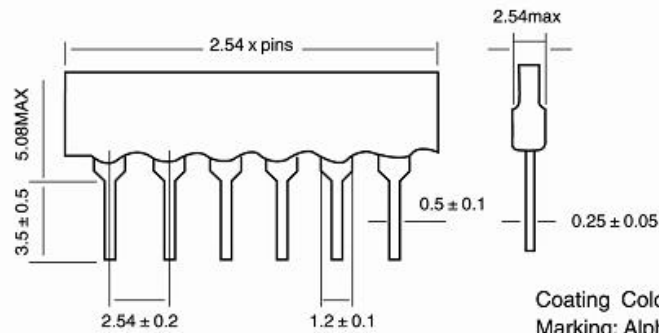


RN 厚膜排列電阻器 THICK FILM RESISTOR NETWORK

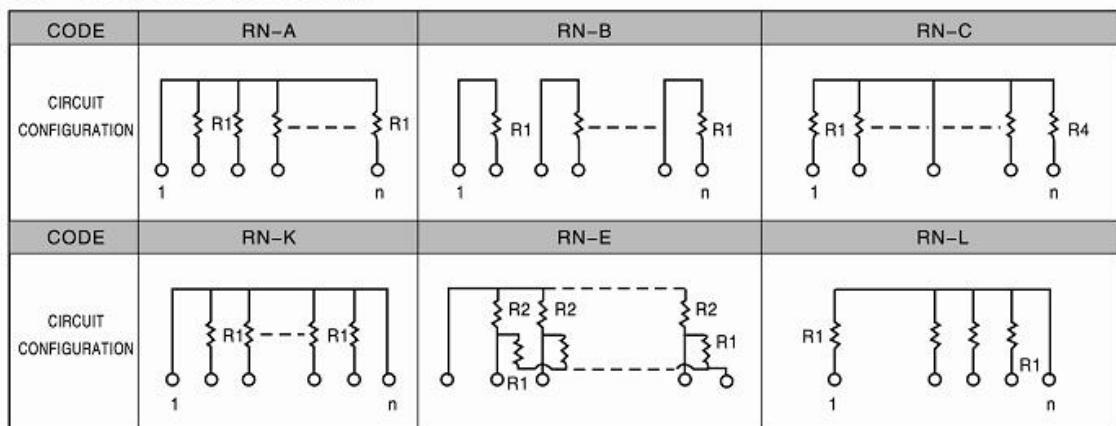
DIMENSION



Coating Color :Black
Marking: Alphabetical / Numeric

STANDARD CONFIGURATIONS

Unit: mm



NOTES: Custom-designed circuits are welcome for producing

RATING

STYLE	POWER RATING														MAX WORKING V.	MAX OVERLOAD V.	RATING AMBIENT TEMP	RESISTANCE RANGE	RESISTANCE TOLERANCE
	PER RESISTOR	ONE PACKAGE (MAX)																	
		5PIN	6PIN	7PIN	8PIN	9PIN	10PIN	11PIN	12PIN	13PIN	14PIN								
RN	0.125W	0.5W	0.625W	0.75W	0.875W	1W	1.05W	1.15W	1.25W	1.35W	1.45W		200V	280V	70°C	22Ω-2.2MΩ	D.F.G.J.K		

ELECTRICAL PERFORMANCE

REQUIREMENTS	CHARACTERISTICS	TEST METHOD			
		JIS C 5202	MIL STD 202E		
Operating Temp. Range	-55°C~+155°C				
Max Resistance Changes	Temp. Coefficient	± 250 ppm/°C	5.2B	304(Operating Temp. Range)	
	Short Time Overload	1%+0.05Ω	5.5	(MIL R 83401B 3.14)	
	Insulation Resistance	Over 10 ⁴ MΩ	5.6	302A	
	Dielectric Withstanding V.	± 0.5%	5.7F		
	Terminal Strength	Pull Test	± 0.5%	6.1(1) 1kg/10secs	211A,A
		Bend Test	3 Cycle and Over	6.1(4) 250g	211A,B
	Resistance to Soldering Heat	± 0.5%	6.4 260°C/10secs	210A,B	
	Solderability	Over 3/4	6.5 230°C/5 secs	208C	
	Life(at Elevated Ambient Temp.)	± 3%	7.2 150°C 1000Hrs	108A 150°C 1000Hrs	
	Temperature Cycling	1%+0.05Ω	7.4 -40°C/85°C	102A-40°C/85°C	
	Moisture Resistance	± 3%	7.9 1000Hrs	103B at Rated V. 1000Hrs	
	Load Life	± 3%	7.10 1000Hrs	108A at 70°C Rated V. 1000Hrs	