

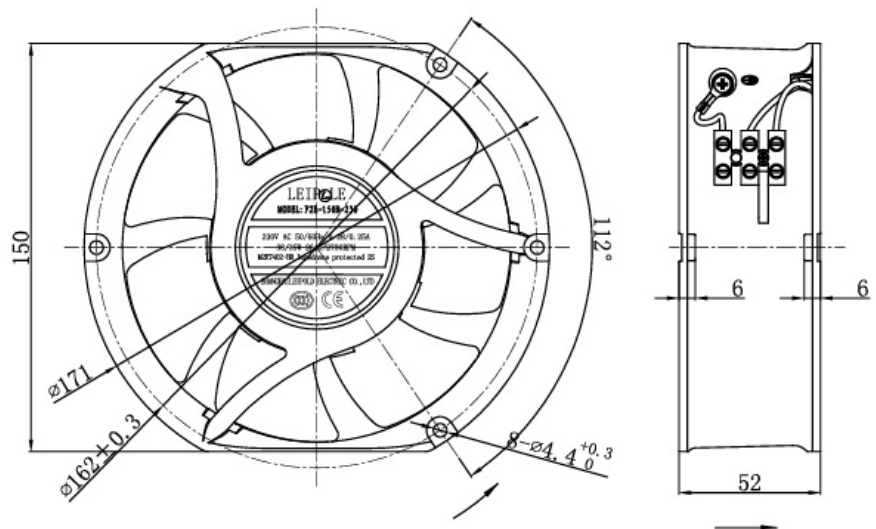
Certification	Impeller	Protection class
CE	Black plastic PBT	IP34

- **Frame** Aluminum alloy die-casting, surfaces is finished by black anti-corrosion treatment.
- **Impeller** Black plastic PBT UL94V-0 (5 Blades/7 Blades)
- **Operation Temperature/Humidity Range:**
-40°C~+65°C (temperature) 0%~95%(humidity)
- **Protection** Impedance Protected
- **Withstand Voltage** AC 1,800V, 1 min at 0.5mA, 50/60 Hz
- **Insulation Grade** Design according to IEC61858 Grade B,

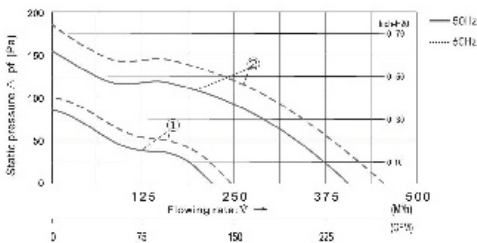


172×150×51mm

Dimensions



1. Rotation direction of blades: CW seen from the front impellers
2. Power Connection: UL3385-22 Lead wire
3. Unit weight: 0.9kg



Model	Order Code	Bearing	Voltage V	Frequency Hz	Current (A)	Power (W)	Speed (r/min)	Air Flow (m³/h)	Noise (dB)	Weight (kg)
F2E-150S-230	2018.011	Sleeve	220/230	50/60	0.27/0.24	38/36	2580/2650	300	58	0.86
F2E-150B-230	2018.013	ball								
F2E-150S-115	2018.012	Sleeve	110/115	50/60	0.50	36	2700	300	58	0.9
F2E-150B-115	2018.014	ball								